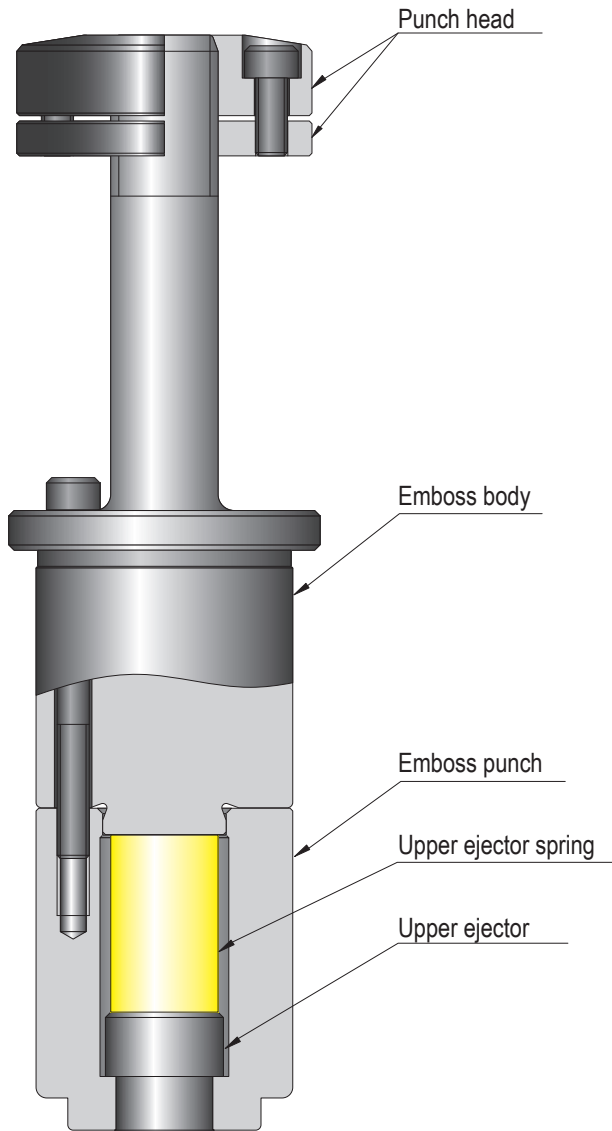
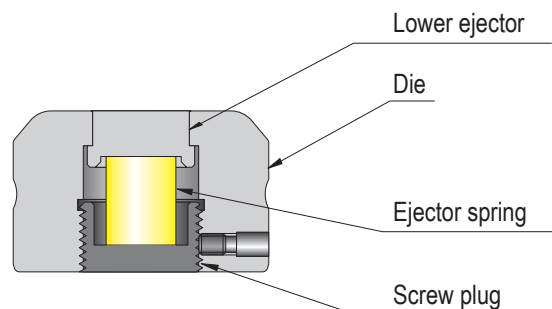
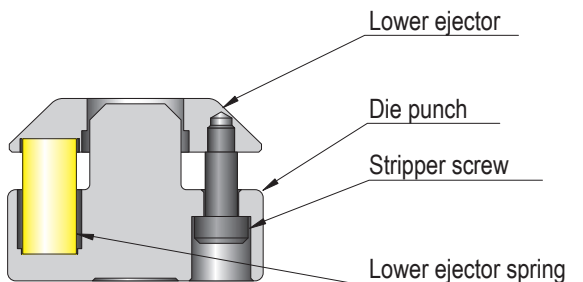
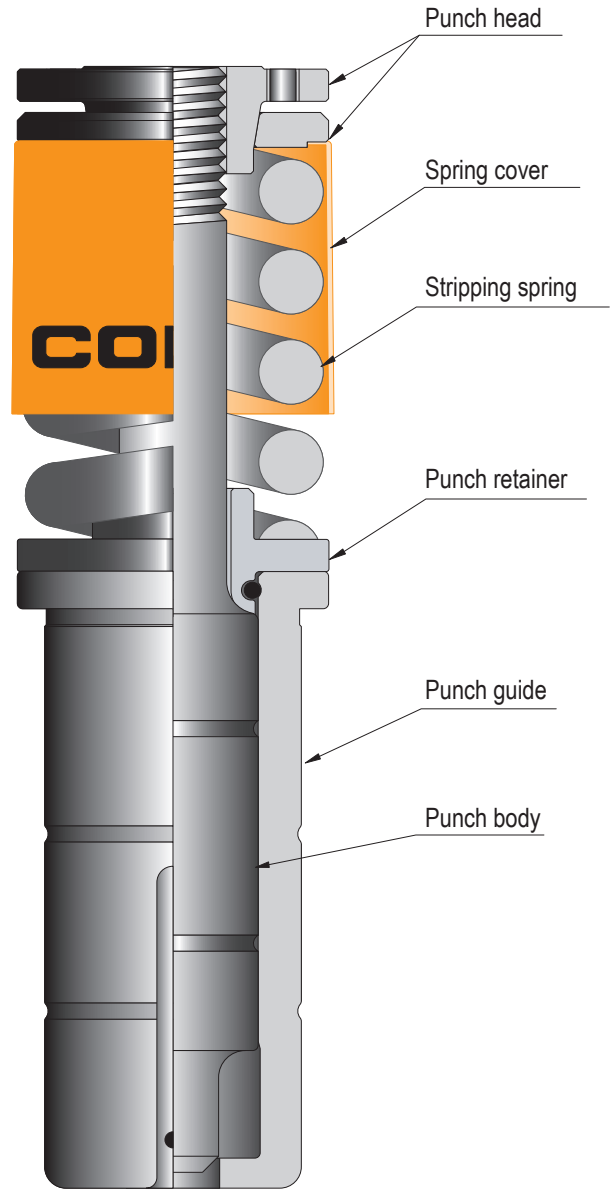


**TOOLING STRUCTURE AND PARTS NAME (AMADA TYPE)**

FORMING UP



FORMING DOWN



For More information,  
please contact  
CONIC tool sales desk.

**CONIC Co., Ltd.**  
10-5 Taiheidai, Shoo-cho, Katsuta-gun,  
Okayama 709-4321 Japan  
Email: tools@conic.co.jp  
<https://www.conic.co.jp>

**CONIC PRECISION Co., Ltd.**  
55/22 Moo 4, Buengkumproy, Lumlukka,  
Phatumthani 12150 Thailand  
TEL: (662) 159-9870 FAX: (662) 159-9872  
Email: conic\_thai@conic.co.jp